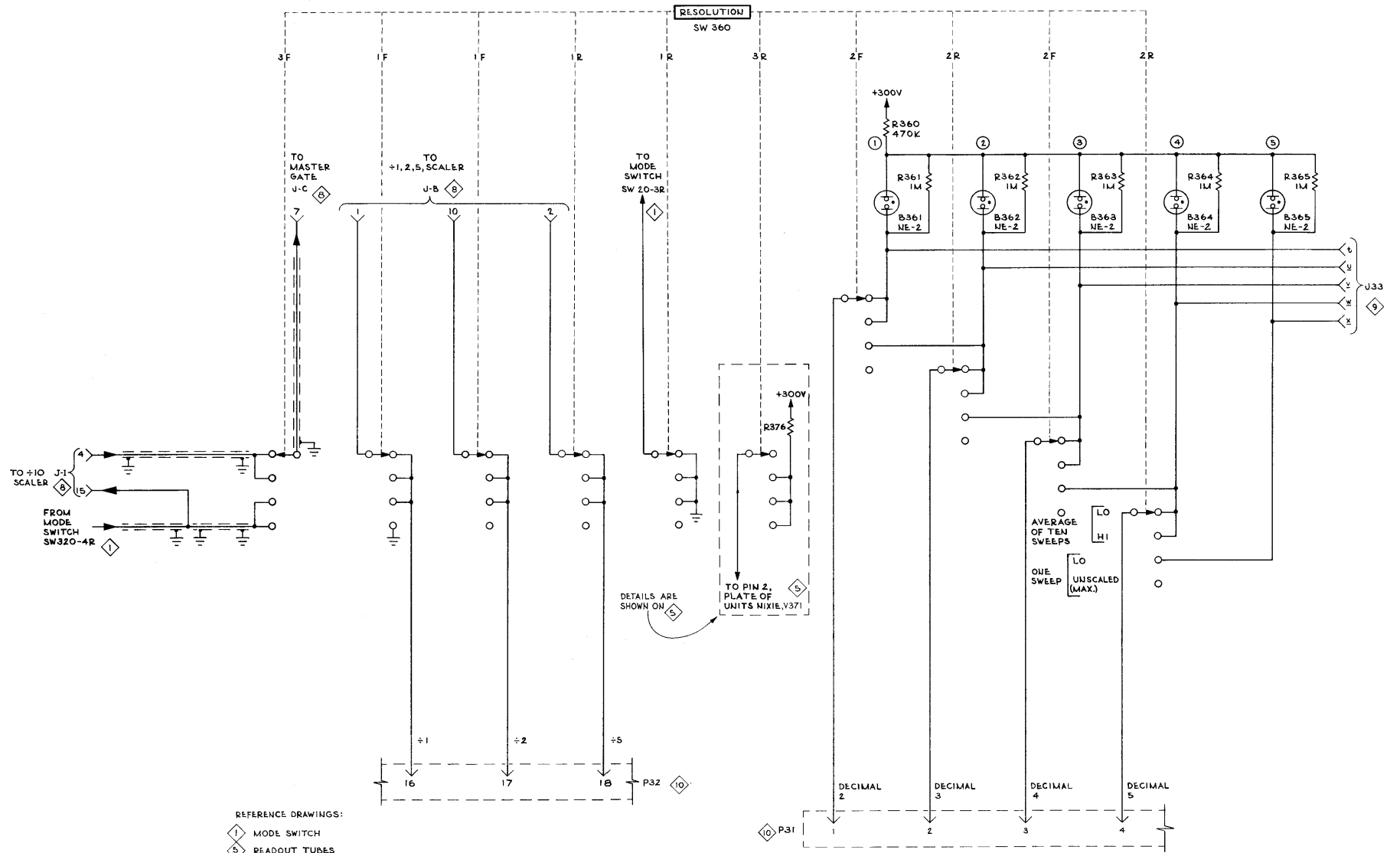
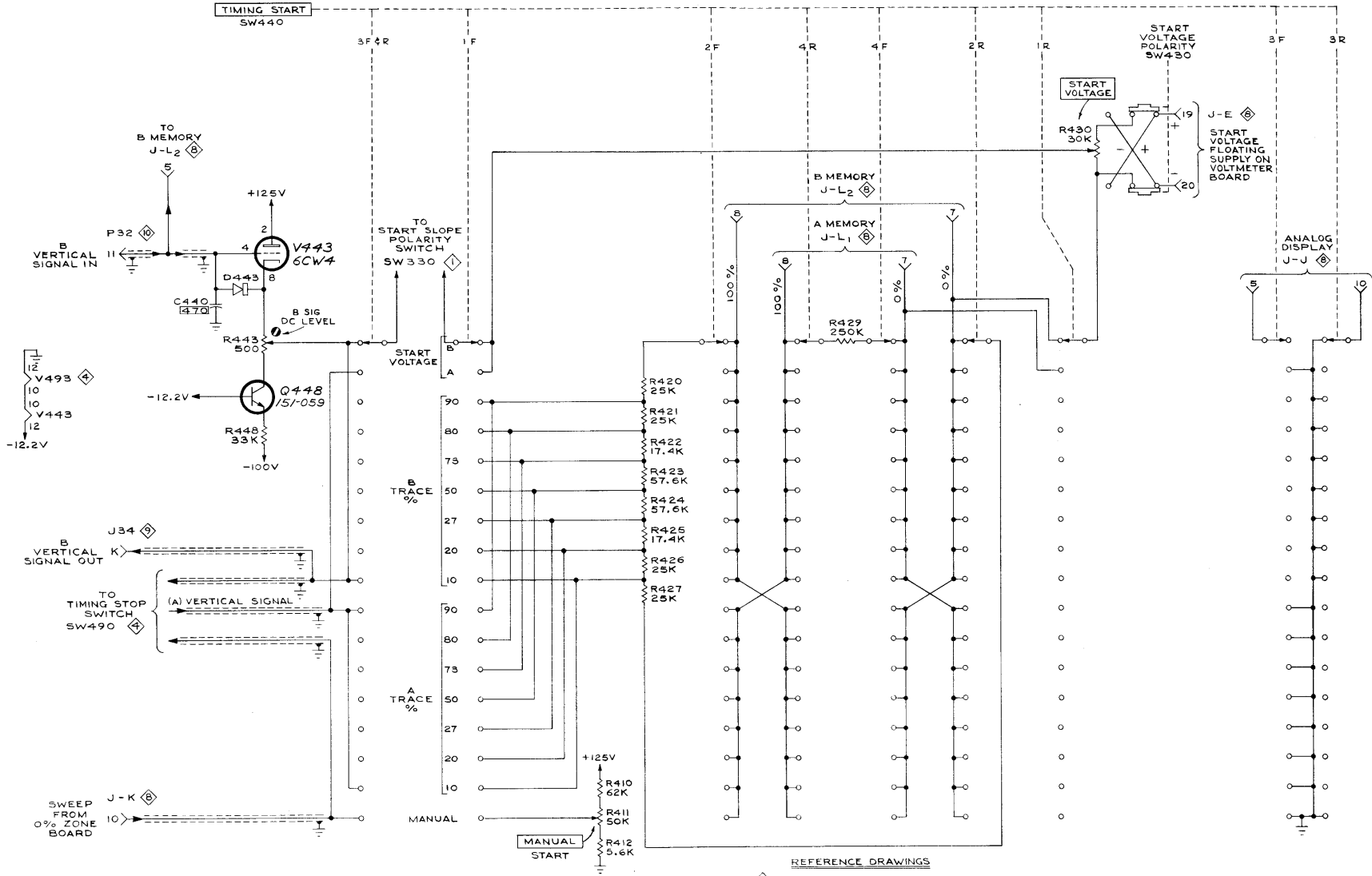


TYPE 6R1

MODE SWITCH



- REFERENCE DRAWINGS:
- ① MODE SWITCH
 - ⑤ READOUT TUBES
 - ⑧ PLUG-IN CIRCUIT BOARD CONNECTORS
 - ⑨ EXTERNAL READOUT & PROGRAMMING CONNECTORS
 - ⑩ CONNECTORS TO INDICATOR UNIT



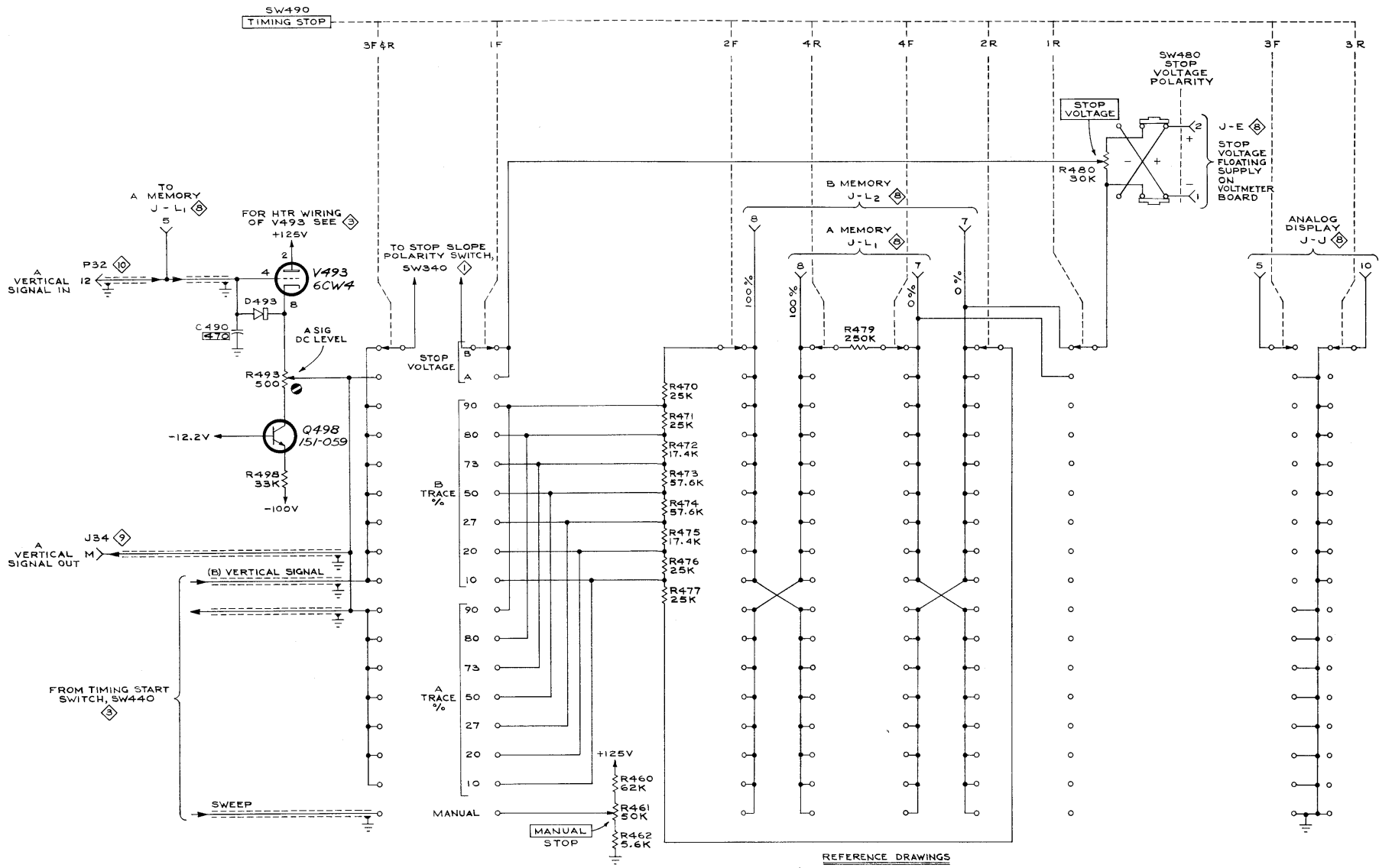
- REFERENCE DRAWINGS**
- ① MODE SWITCH
 - ② TIMING STOP SWITCHING
 - ③ PLUG-IN CIRCUIT BOARD CONNECTORS
 - ④ EXTERNAL READOUT & PROGRAMMING CONNECTORS
 - ⑤ CONNECTORS TO INDICATOR UNIT

SEE PARTS LIST FOR EARLIER VALUES AND S/N CHANGES OF PARTS MARKED WITH BLUE OUTLINE

TYPE 6R1

MRH
563

TIMING START SWITCHING



REFERENCE DRAWINGS

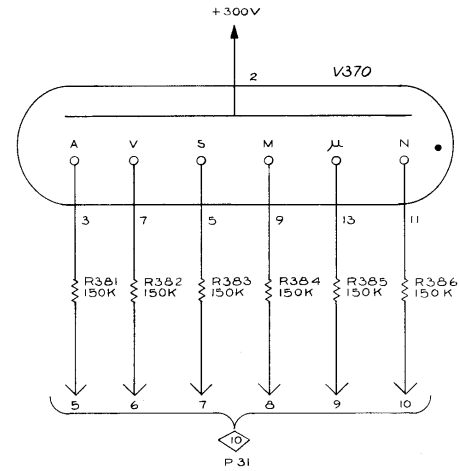
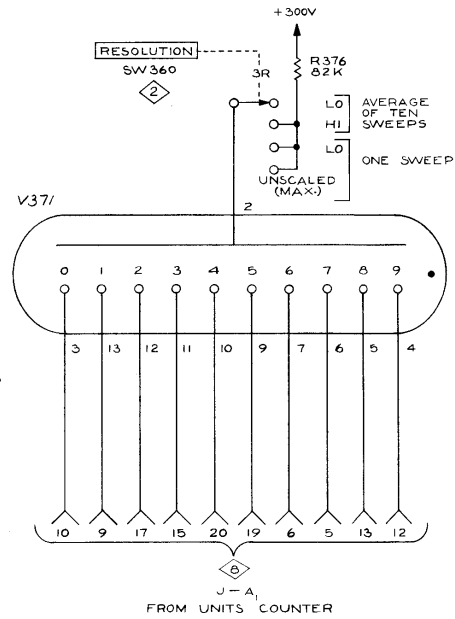
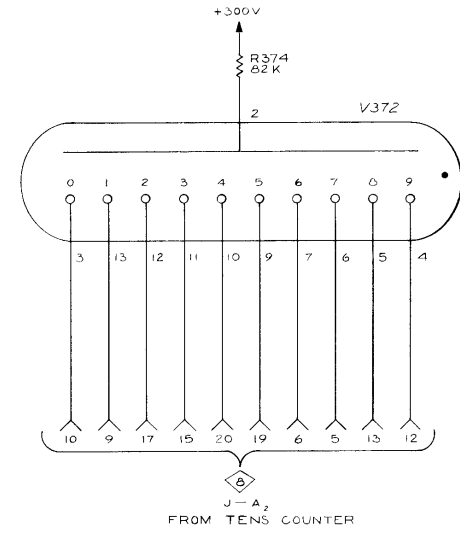
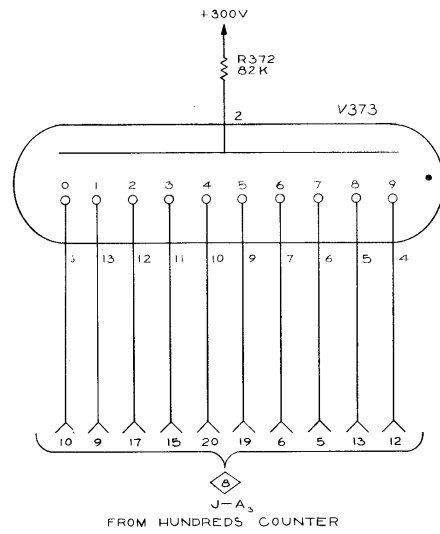
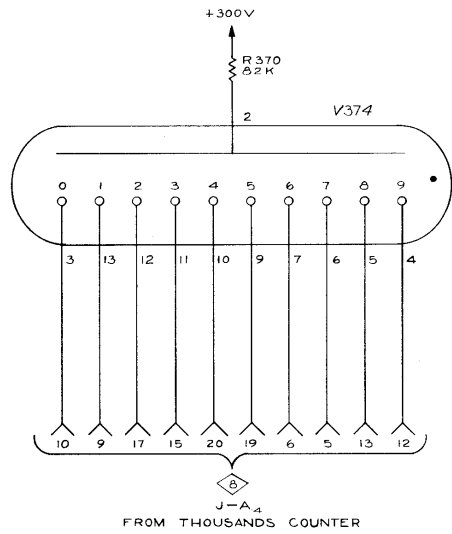
- ① MODE SWITCH
- ② TIMING START SWITCHING
- ③ PLUG-IN CIRCUIT BOARD CONNECTORS
- ④ EXTERNAL READOUT & PROGRAMMING CONNECTORS
- ⑤ CONNECTORS TO INDICATOR UNIT

SEE PARTS LIST FOR EARLIER VALUES AND S/N CHANGES OF PARTS MARKED WITH BLUE OUTLINE

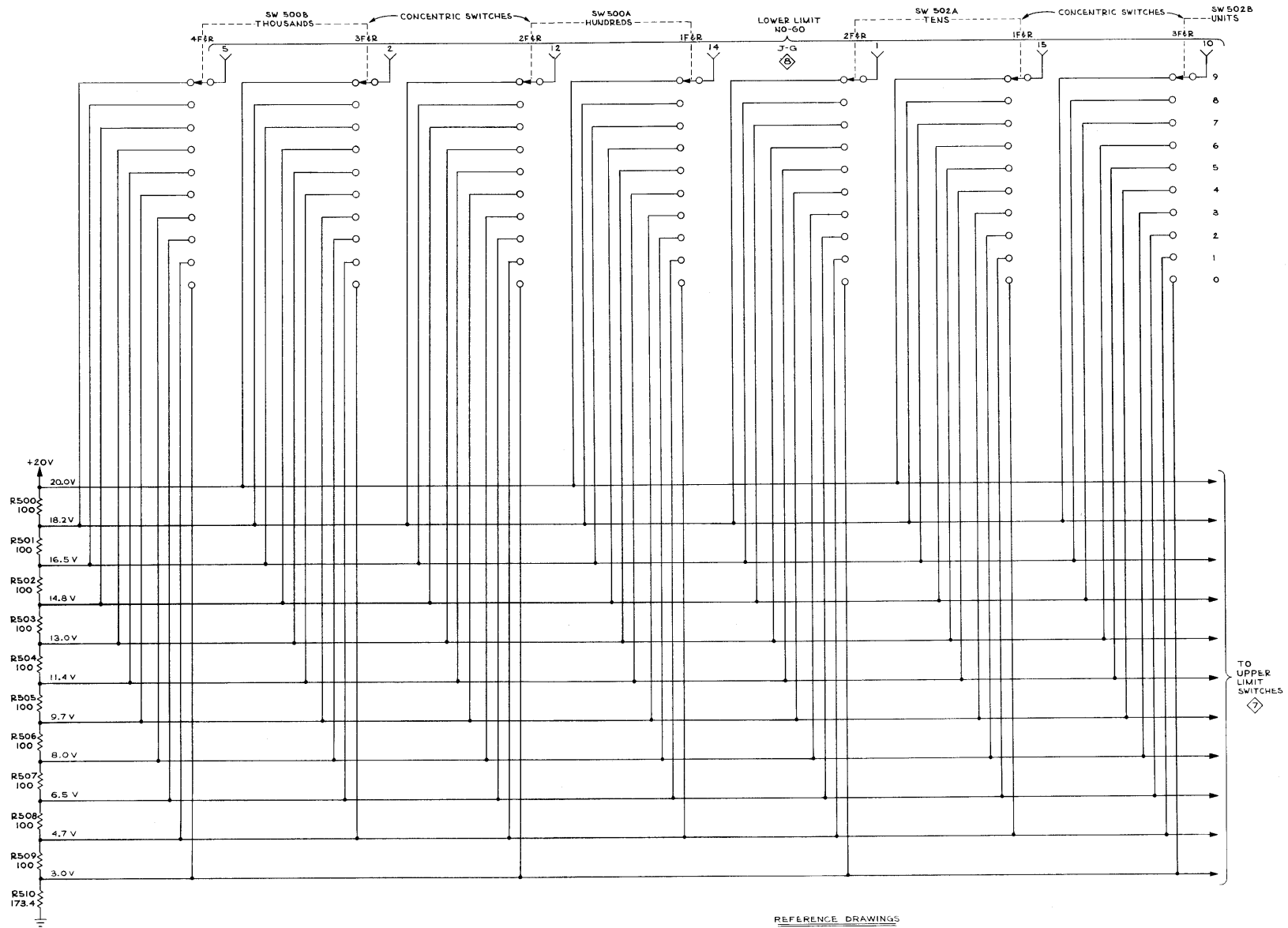
MRH
563

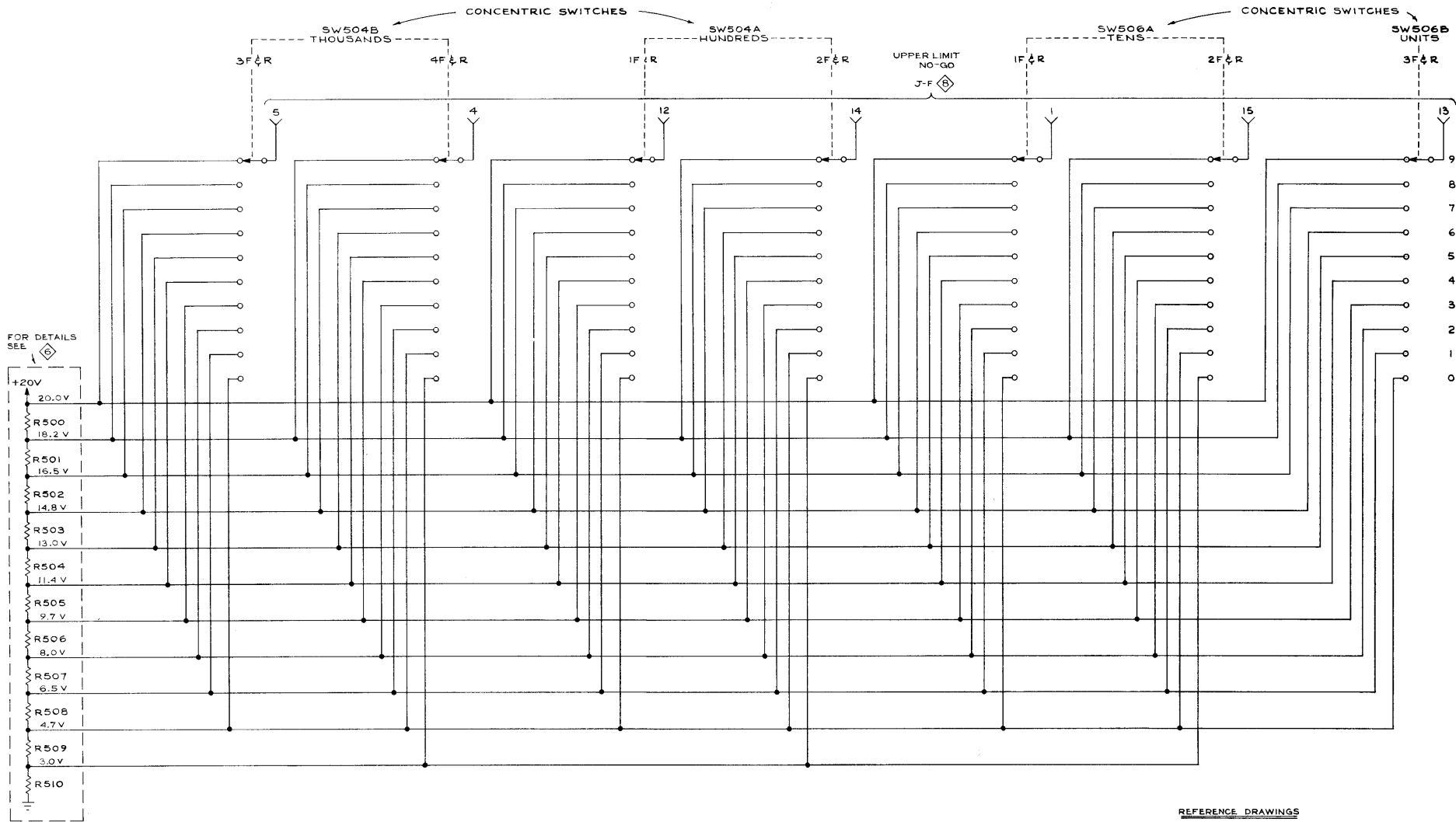
TIMING STOP SWITCHING

TYPE 6R1



- REFERENCE DRAWINGS**
- 2 RESOLUTION SWITCH
 - 3 PLUG-IN CIRCUIT BOARD CONNECTORS
 - 10 CONNECTORS TO INDICATOR UNIT



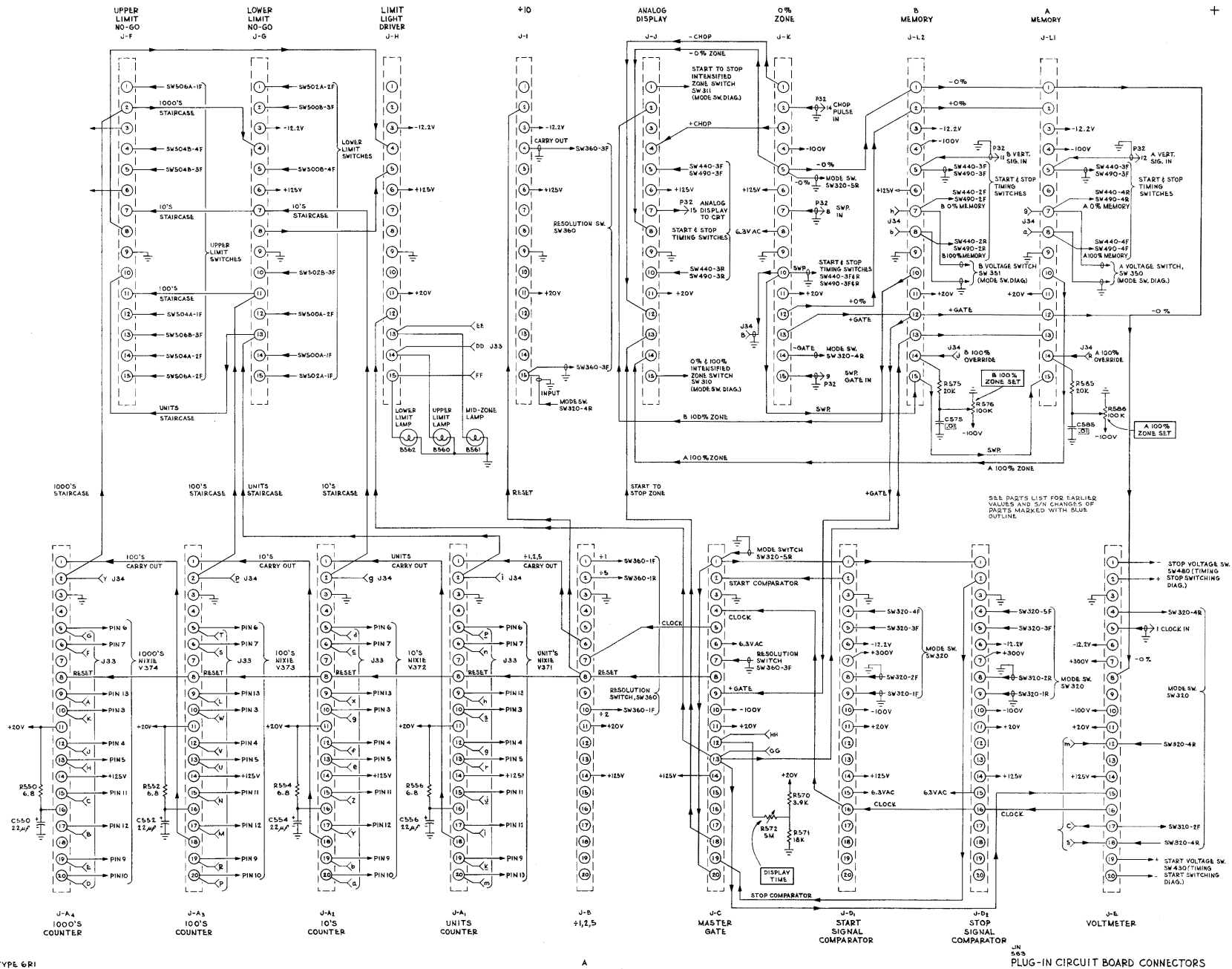


TYPE 6R1

A

UPPER LIMIT SWITCHES

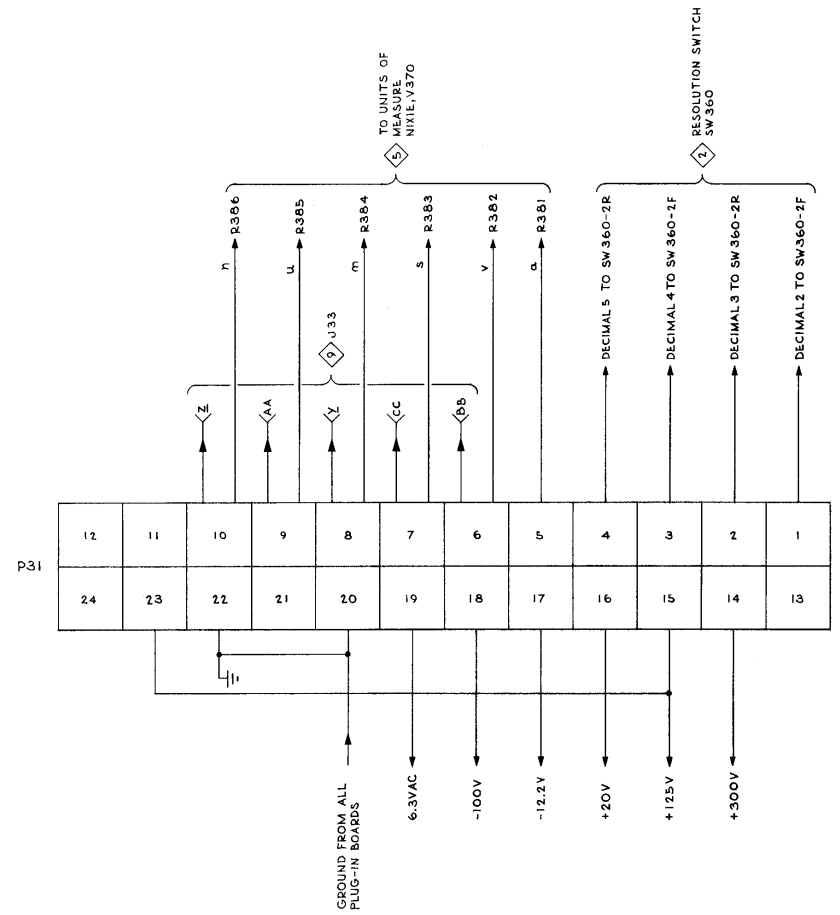
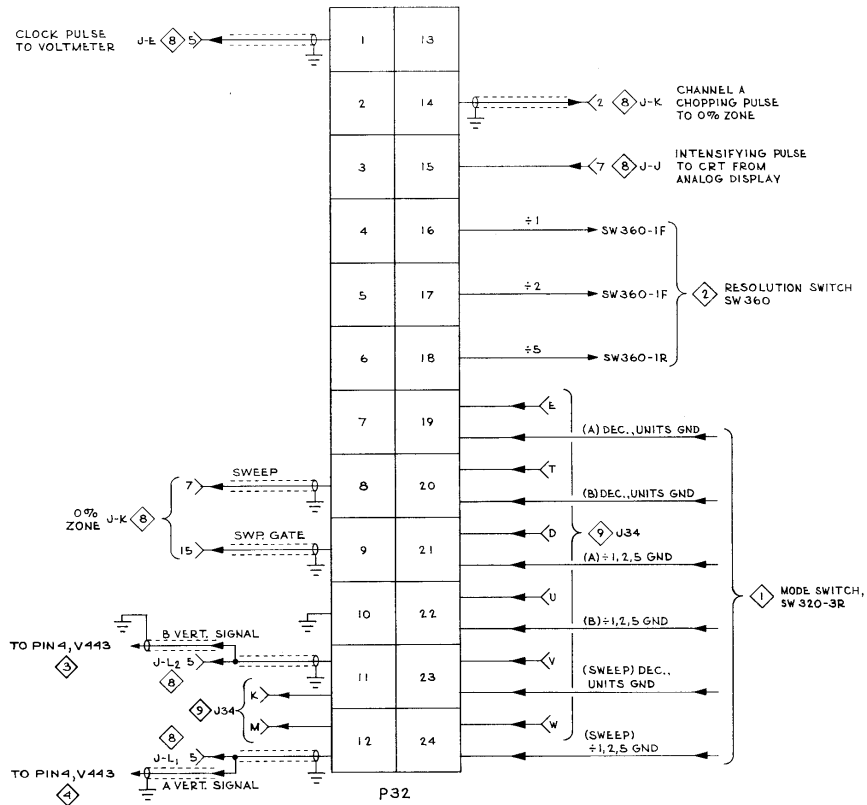
MRH
563



TYPE 6R1

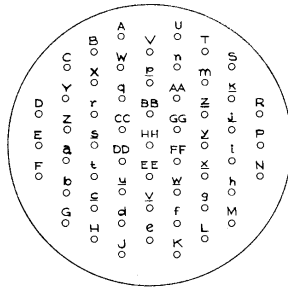
A

UN 563
PLUG-IN CIRCUIT BOARD CONNECTORS



- REFERENCE DRAWINGS:
- 1 MODE SWITCH
 - 2 RESOLUTION SWITCH
 - 3 TIMING START SWITCHING
 - 5 READOUT TUBES
 - 8 PLUG-IN CIRCUIT BOARD CONNECTORS
 - 9 EXTERNAL READOUT & PROGRAMMING CONNECTORS
 - 4 TIMING STOP SWITCHING

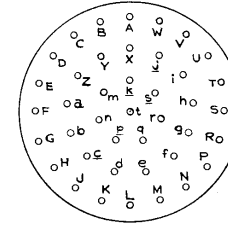
SEE PARTS LIST FOR EARLIER VALUES AND S/N CHANGES OF PARTS MARKED WITH BLUE OUTLINE



EXTERNAL
READOUT

J33

A	1000'S -1, PIN 9, J-A ₄	⊕	f	10'S - 9, PIN 12, J-A ₂	⊕
B	" 2, " 17, "		g	" 0 " 10, "	
C	" 3, " 15, "		h	1'S - 1, PIN 9, J-A ₁	⊕
D	" 4, " 20, "		i	" 2, " 17, "	
E	" 5, " 19, "		j	" 3, " 15, "	
F	" 6, " 6, "		k	" 4, " 20, "	
G	" 7, " 5, "		l	" 5, " 19, "	
H	" 8, " 13, "		m	" 6, " 6, "	
J	" 9, " 12, "		n	" 7, " 5, "	
K	" 0, " 10, "		o	" 8, " 13, "	
L	100'S - 1, PIN 9, J-A ₃	⊕	p	" 9, " 12, "	
M	" 2, " 17, "		q	" 0, " 10, "	
N	" 3, " 15, "		r	DECIMAL 1 FROM SW360-2F	⊕
P	" 4, " 20, "		s	" 2 " " 2F & R	⊕
R	" 5, " 19, "		t	" 3 " " 2R & F	⊕
S	" 6, " 6, "		u	" 4 " " 2R & F	⊕
T	" 7, " 5, "		v	" 5 " " 2R	⊕
U	" 8, " 13, "		w	m FROM PIN 8, P31	⊕
V	" 9, " 12, "		x	γ " " 10, "	
W	" 0, " 10, "		y	u " " 9, "	
X	10'S - 1, PIN 9, J-A ₂	⊕	z	u " " 6, "	
Y	" 2, " 17, "		AA	v " " 7, "	
Z	" 3, " 15, "		CC	s " " 7, "	
a	" 4, " 20, "		DD	NO-GO UPPER LIMIT FROM PIN 14, J-H	⊕
b	" 5, " 19, "		EE	" MID-ZONE " " 13, "	
c	" 6, " 6, "		FF	" LOWER LIMIT " " 15, "	
d	" 7, " 5, "		GG	PRINT COMMAND FROM PIN 13, J-C	⊕
e	" 8, " 13, "		HH	DISPLAY TIME FROM PIN 12, J-C	⊕



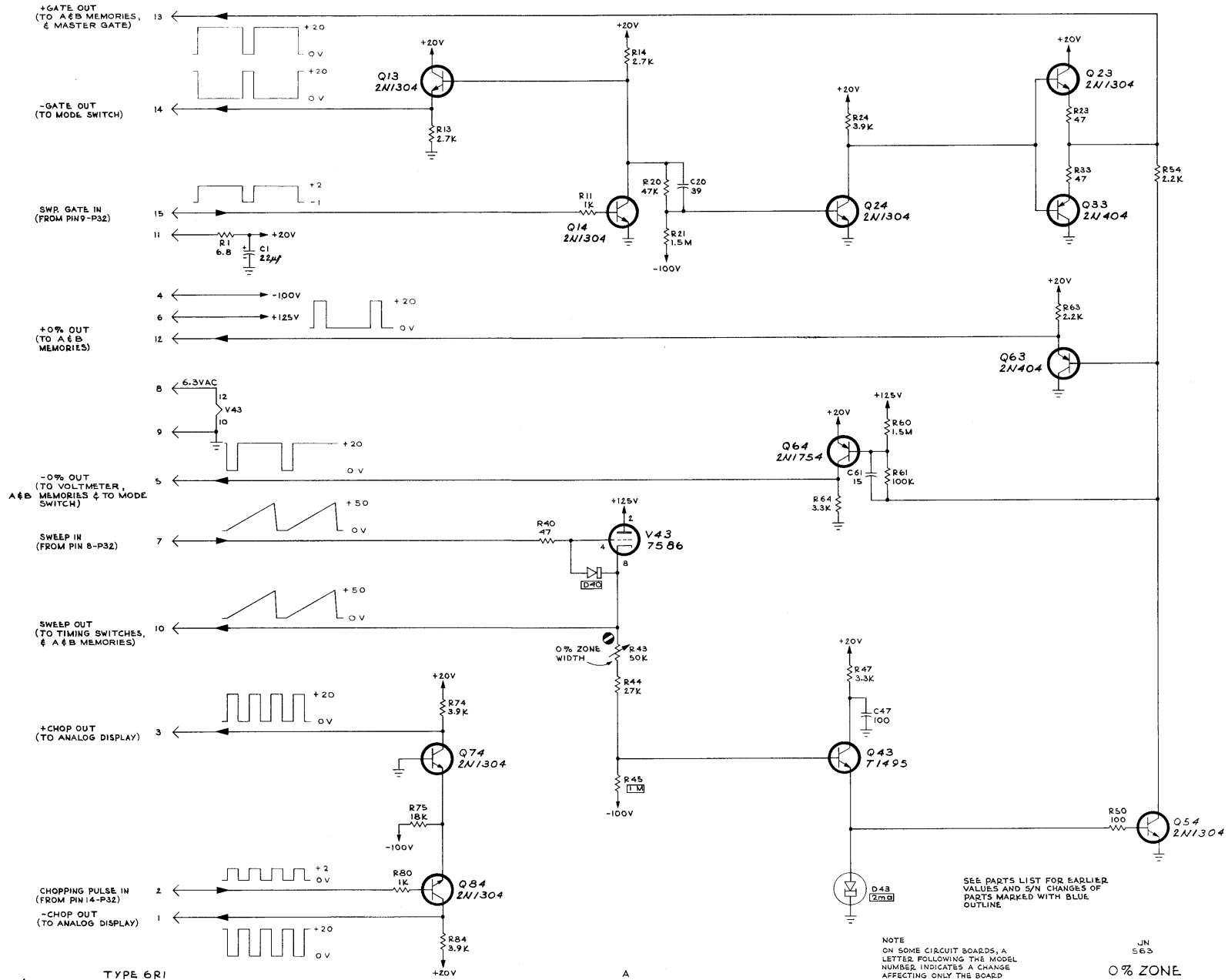
EXTERNAL
PROGRAMMING

J34

A	GROUND	⊕	a	100% A MEMORY FROM PIN 8, J-L ₁	⊕
B	SWEEP OUT FROM PIN 10, J-K	⊕	b	100% B MEMORY FROM PIN 8, J-L ₂	⊕
C	VOLTMETER RAMP FROM PIN 17, J-E	⊕	c	1ST START SLOPE TO SW320-4F	⊕
D	A VERT. ÷1,2,5 GND TO PIN 21, P32	⊕	d	2ND START SLOPE TO SW320-3F	⊕
E	A VERT. DEC., UNITS GND TO PIN 19, P32	⊕	e	1ST STOP SLOPE TO SW320-5F	⊕
F	-STOP COMPARATOR TO SW320-1R	⊕	f	2ND STOP SLOPE TO SW320-3F	⊕
G	+20V	⊕	g	0% A MEMORY FROM PIN 7, J-L ₁	⊕
H	-STOP COMPARATOR TO SW320-1R	⊕	h	0% B MEMORY FROM PIN 7, J-L ₂	⊕
J	B 100% OVERRIDE TO PIN 14, J-L ₂	⊕	i	SPARE	⊕
K	B SIGNAL FROM START, SW440-3F & R	⊕	j	1'S STAIRCASE FROM PIN 2, J-A ₁	⊕
L	DEC., UNITS RETURN FROM SW320-3R	⊕	k	SPARE	⊕
M	A SIGNAL FROM STOP SW490-3F & R	⊕	m	TIME CLOCK TO PIN 12, J-E	⊕
N	÷ 1, 2, 5 RETURN FROM SW320-3R	⊕	n	SPARE	⊕
P	+ START COMPARATOR TO SW320-2F	⊕	p	100'S STAIRCASE FROM PIN 2, J-A ₃	⊕
R	A 100% OVERRIDE TO PIN 14, J-L ₁	⊕	q	10'S STAIRCASE FROM PIN 2, J-A ₂	⊕
S	+ STOP COMPARATOR TO SW320-2R	⊕	r	SPARE	⊕
T	B VERT. DEC., UNITS GND TO PIN 20, P32	⊕	s	VOLTMETER OSC TO PIN 18, J-E	⊕
U	B VERT. ÷ 1, 2, 5 GND TO PIN 22, P32	⊕	t	VOLTMETER OSC, TIME CLOCK RETURN FROM SW320-4R	⊕
V	HORIZ. DEC., UNITS GND TO PIN 23, P32	⊕			
W	HORIZ. ÷1,2,5 GND TO PIN 24, P32	⊕			
X	SPARE	⊕			
Y	1000'S STAIRCASE FROM PIN 2, J-A ₄	⊕			
Z	SPARE	⊕			

REFERENCE
DRAWINGS

- ⊕ TIMING START SWITCHING
- ⊕ TIMING STOP SWITCHING
- ⊕ MODE SWITCH
- ⊕ RESOLUTION SWITCH
- ⊕ PLUG-IN CIRCUIT BOARD CONNECTORS
- ⊕ CONNECTOR TO INDICATOR UNIT

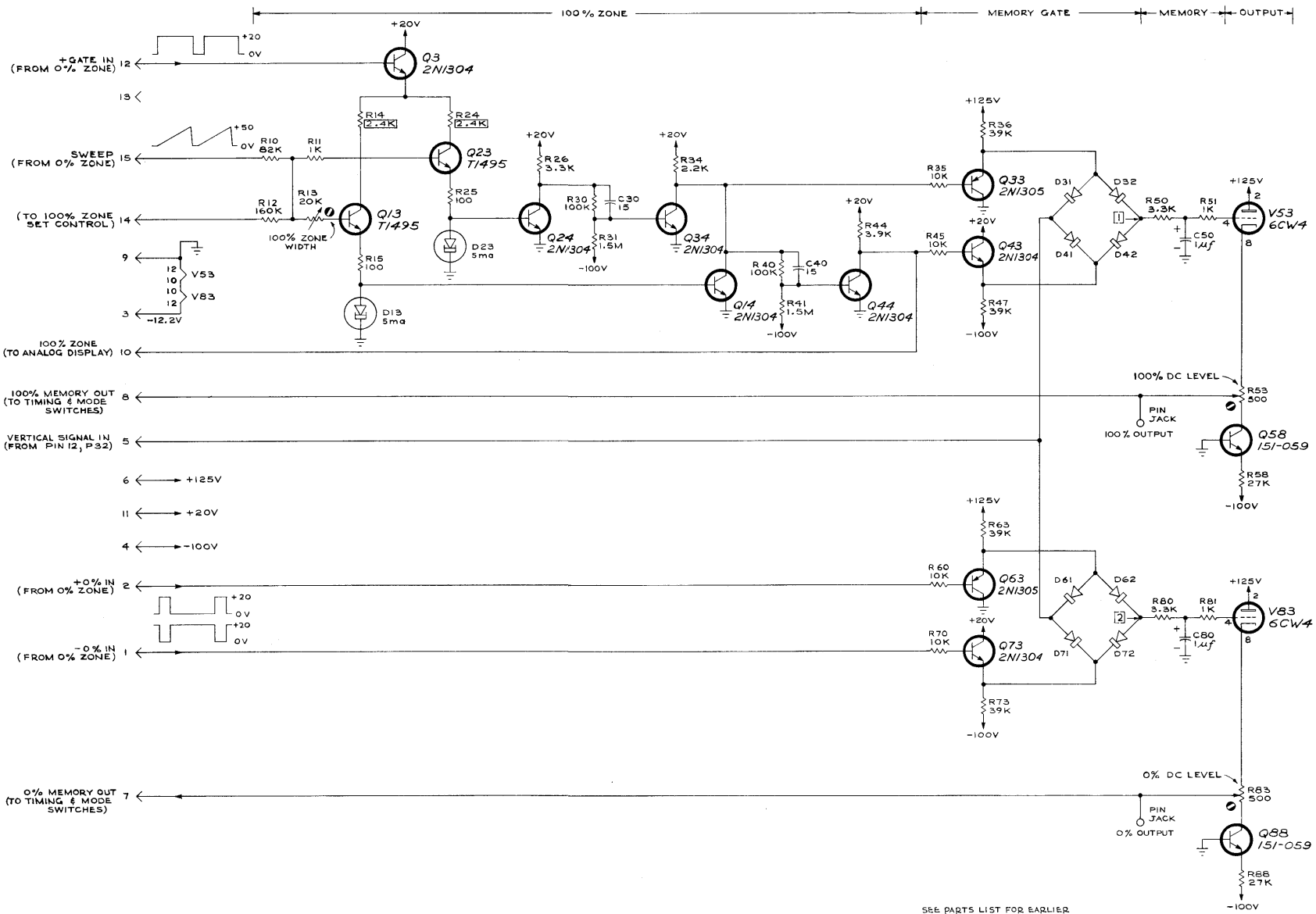


TYPE 6R1

A

NOTE
 ON SOME CIRCUIT BOARDS, A
 LETTER FOLLOWING THE MODEL
 NUMBER INDICATES A CHANGE
 AFFECTING ONLY THE BOARD
 DESIGNATED BY THIS LETTER.

JN
 563
 0% ZONE
 SERIES K MODELS 1,2,3,4



TYPE 6R1

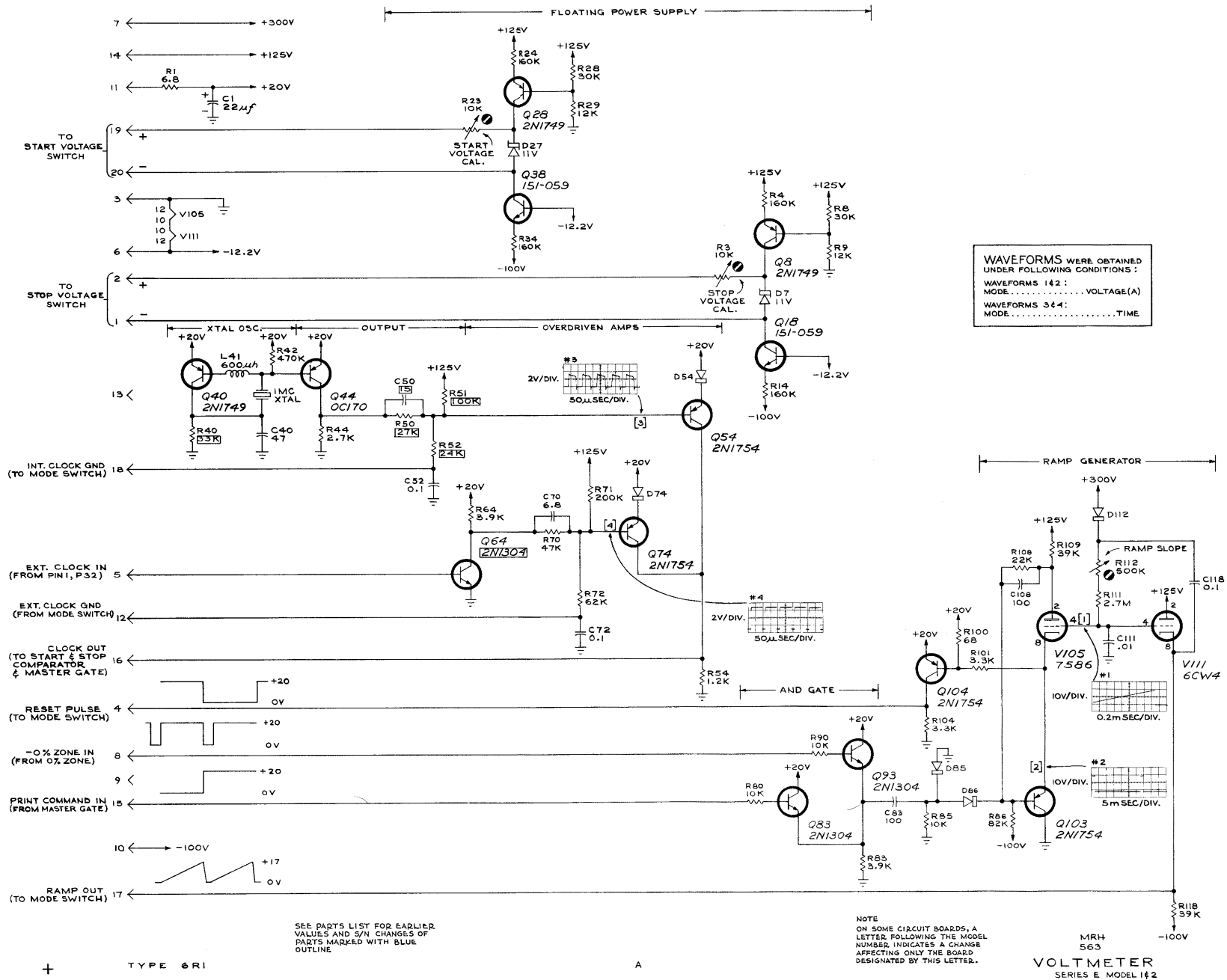
A

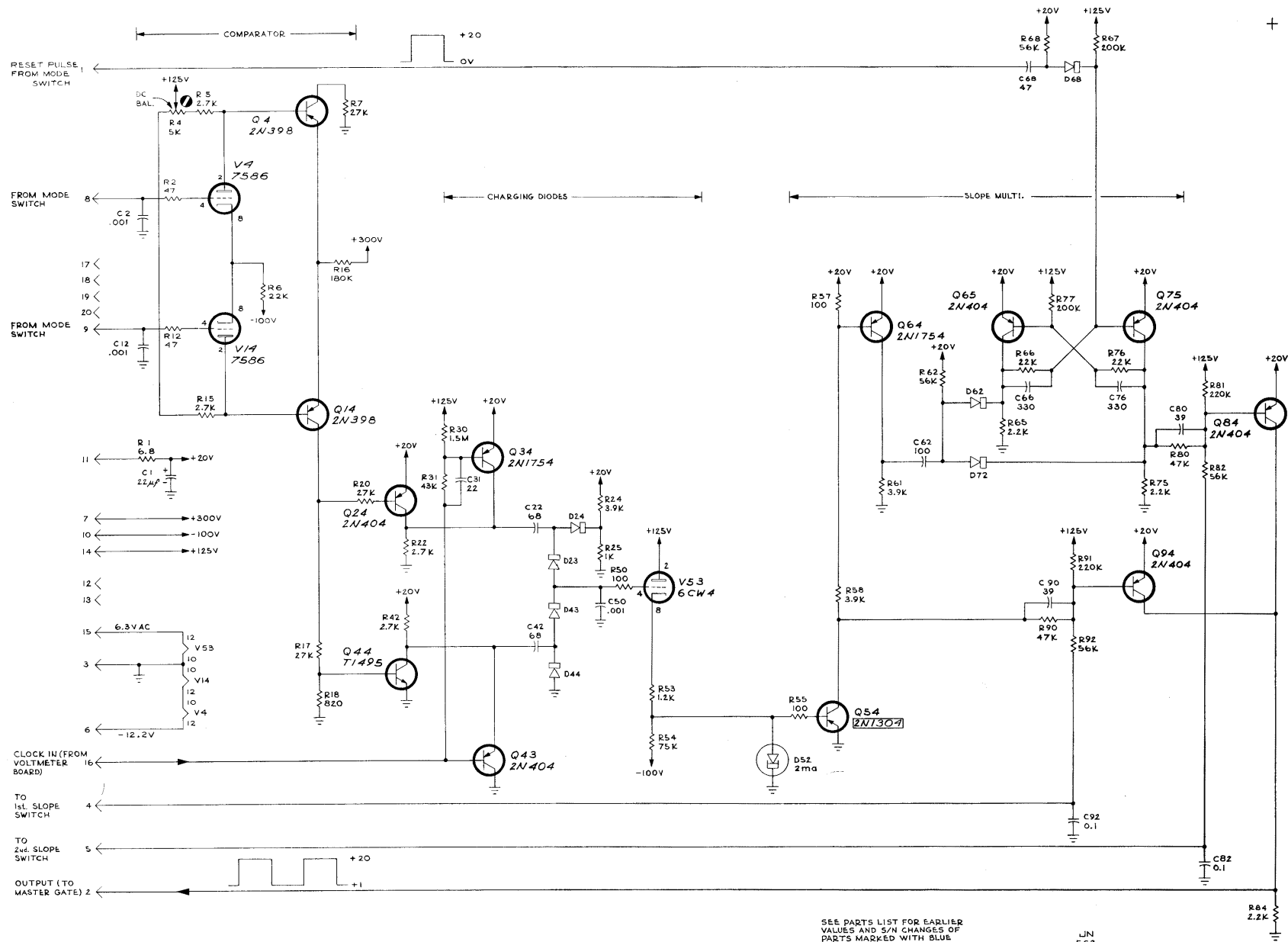
SEE PARTS LIST FOR EARLIER VALUES AND S/N CHANGES OF PARTS MARKED WITH BLUE OUTLINE

NOTE
ON SOME CIRCUIT BOARDS, A LETTER FOLLOWING THE MODEL NUMBER INDICATES A CHANGE AFFECTING ONLY THE BOARD DESIGNATED BY THIS LETTER.

MEMORY
SERIES L MODELS 1,2,3,4

MR14
563





TYPE 6 R1

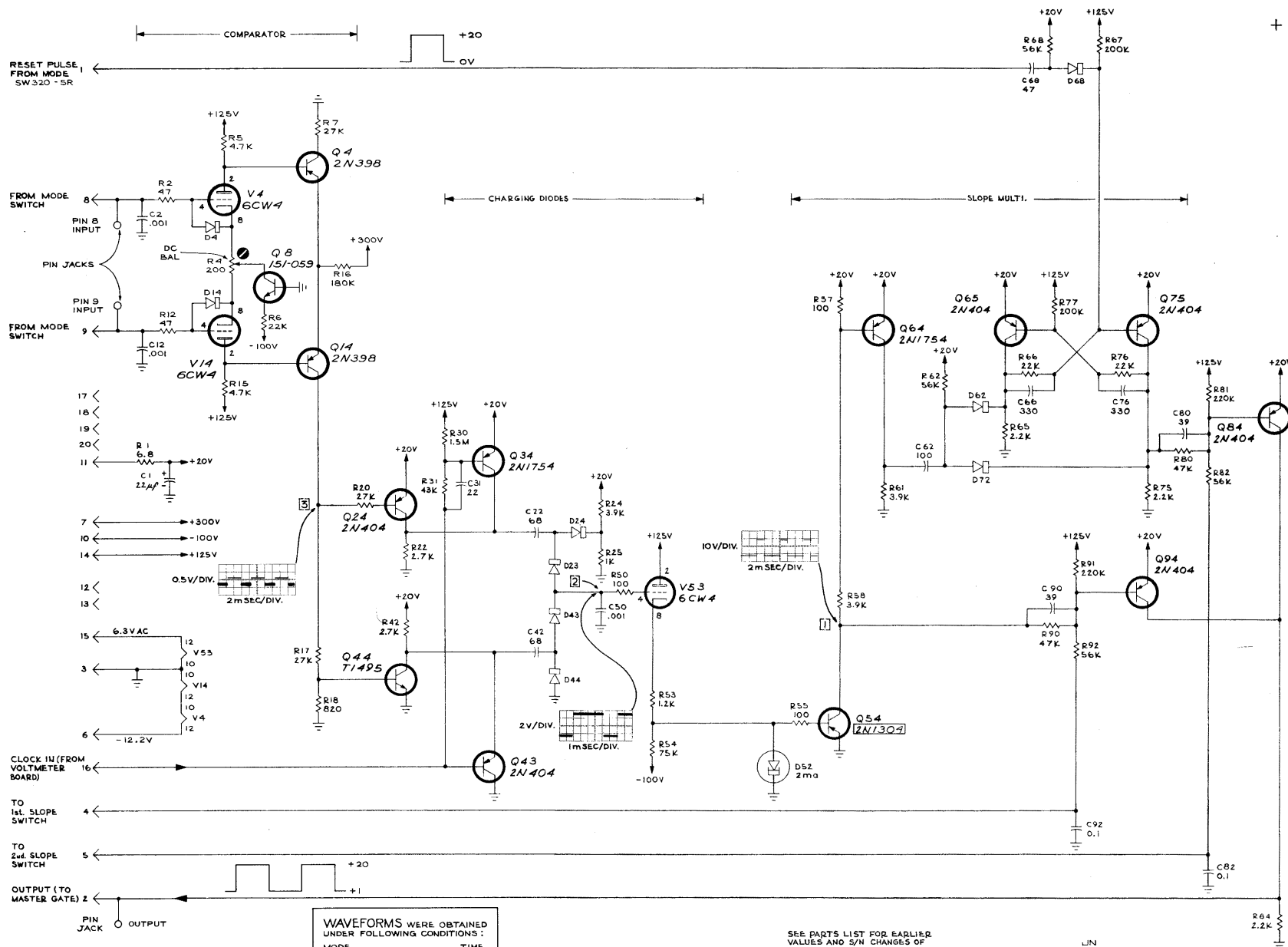
A

SEE PARTS LIST FOR EARLIER VALUES AND S/N CHANGES OF PARTS MARKED WITH BLUE OUTLINE.

NOTE
ON SOME CIRCUIT BOARDS, A LETTER FOLLOWING THE MODEL NUMBER INDICATES A CHANGE AFFECTING ONLY THE BOARD DESIGNATED BY THIS LETTER.

SIGNAL COMPARATOR
SERIES D MODELS 162

JUN
563

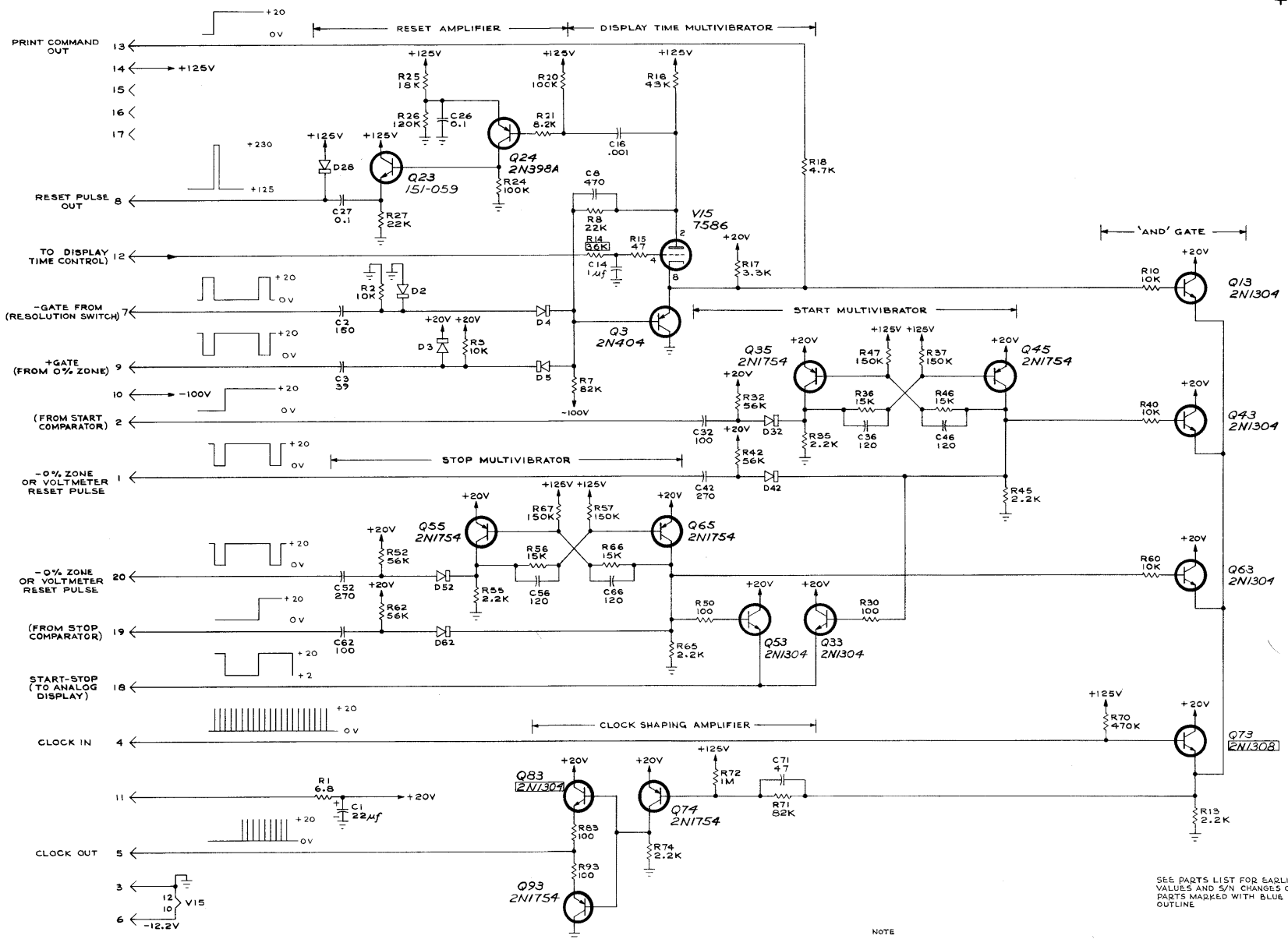


TYPE 6 R I

A

SIGNAL COMPARATOR
SERIES D MODEL 3

NOTE
ON SOME CIRCUIT BOARDS, A
LETTER FOLLOWING THE MODEL
NUMBER, INDICATES A CHANGE
AFFECTING ONLY THE BOARD
DESIGNATED BY THIS LETTER.



TYPE 6R1

A

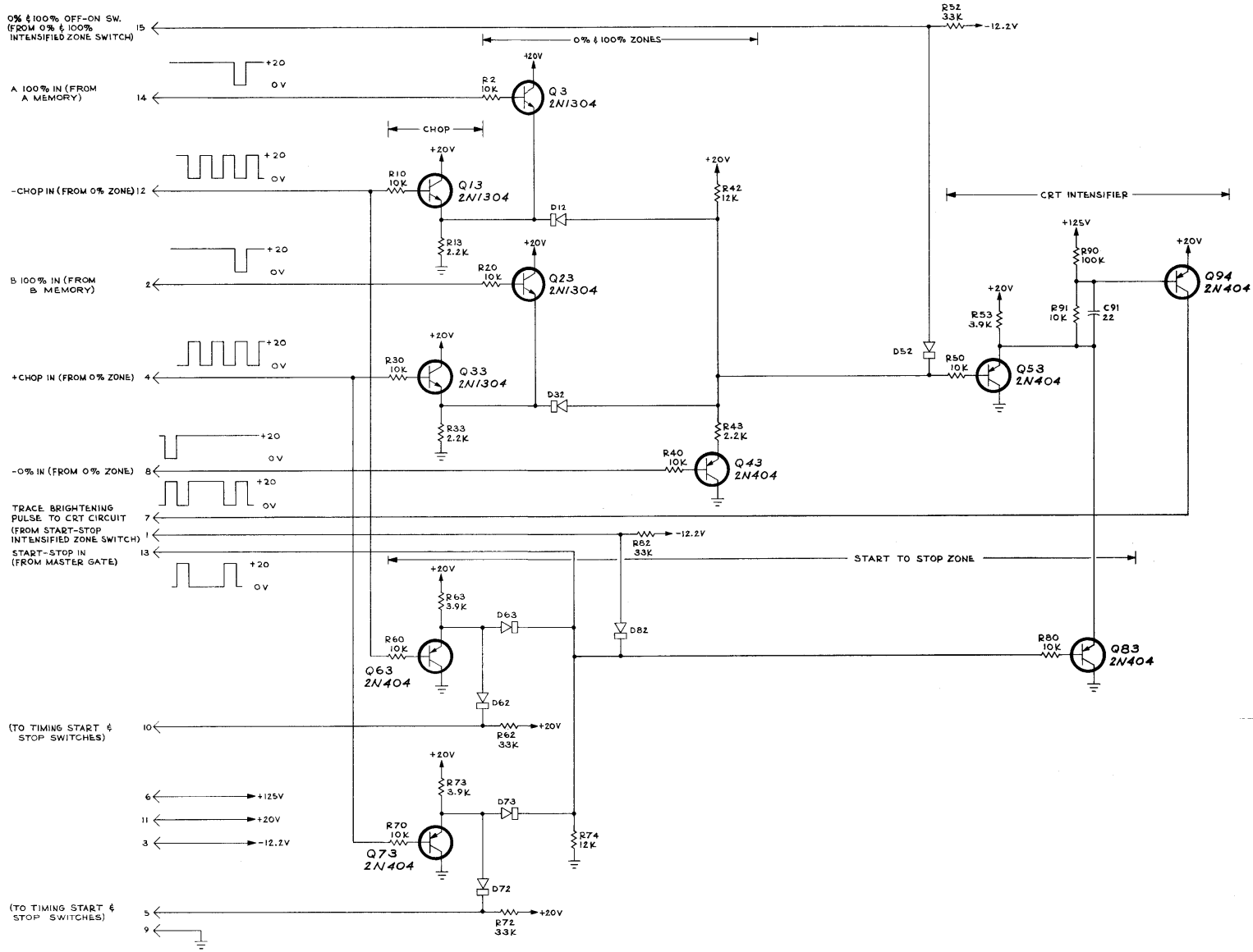
NOTE
ON SOME CIRCUIT BOARDS, A
LETTER FOLLOWING THE MODEL
NUMBER, INDICATES A CHANGE
AFFECTING ONLY THE BOARD
DESIGNATED BY THIS LETTER.

SEE PARTS LIST FOR EARLIER
VALUES AND S/N CHANGES OF
PARTS MARKED WITH BLUE
OUTLINE

MR4
563

MASTER GATE

SERIES C MODELS 1 & 2

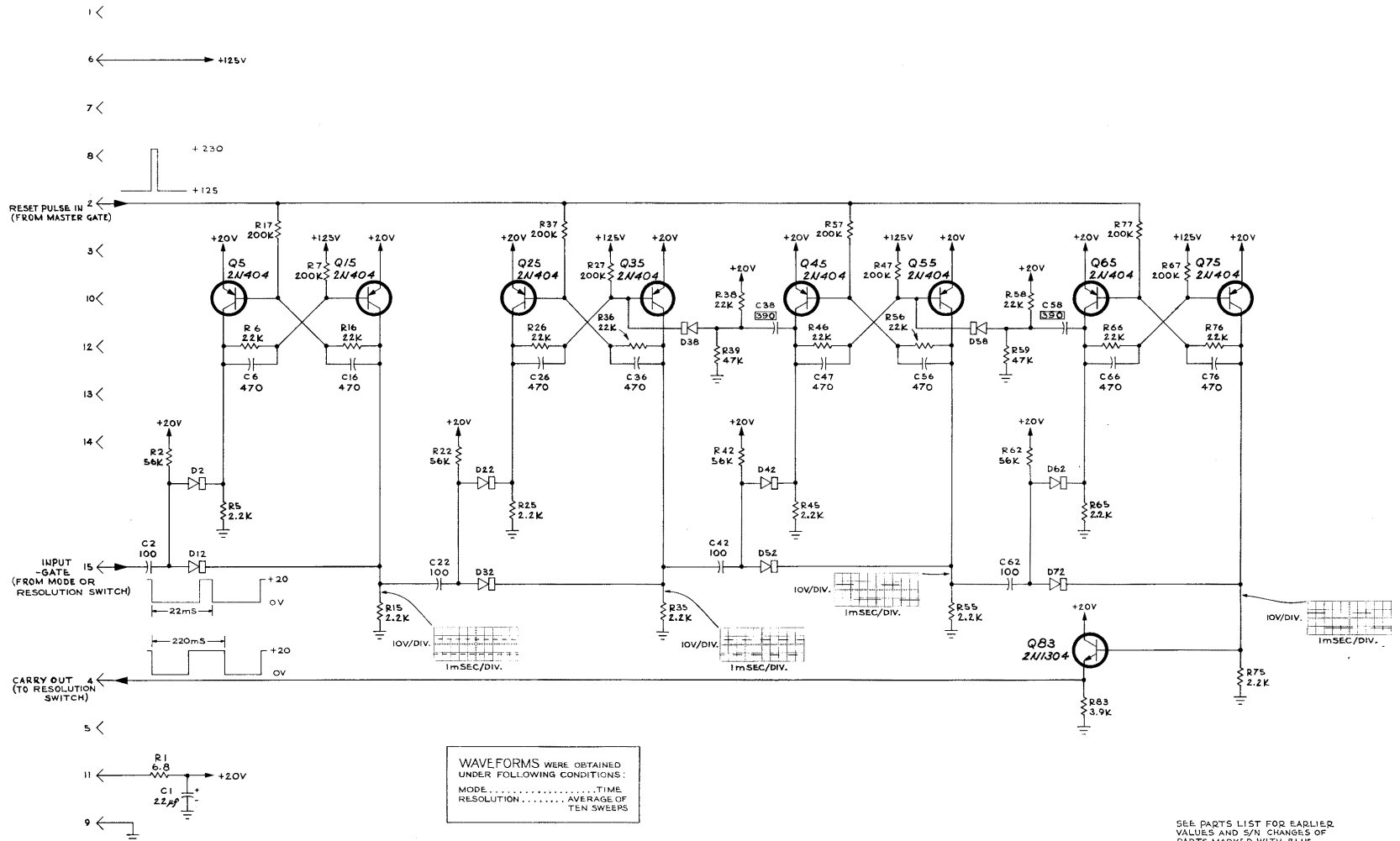


TYPE 6R1

A

NOTE
ON SOME CIRCUIT BOARDS, A
LETTER FOLLOWING THE MODEL
NUMBER INDICATES A CHANGE
AFFECTING ONLY THE BOARD
DESIGNATED BY THIS LETTER.

JIN
563
ANALOG DISPLAY
SERIES J MODEL 1



RESET PULSE IN (FROM MASTER GATE)

INPUT - GATE (FROM MODE OR RESOLUTION SWITCH)

CARRY OUT (TO RESOLUTION SWITCH)

WAVEFORMS WERE OBTAINED UNDER FOLLOWING CONDITIONS:
 MODE TIME
 RESOLUTION AVERAGE OF
 TEN SWEEPS

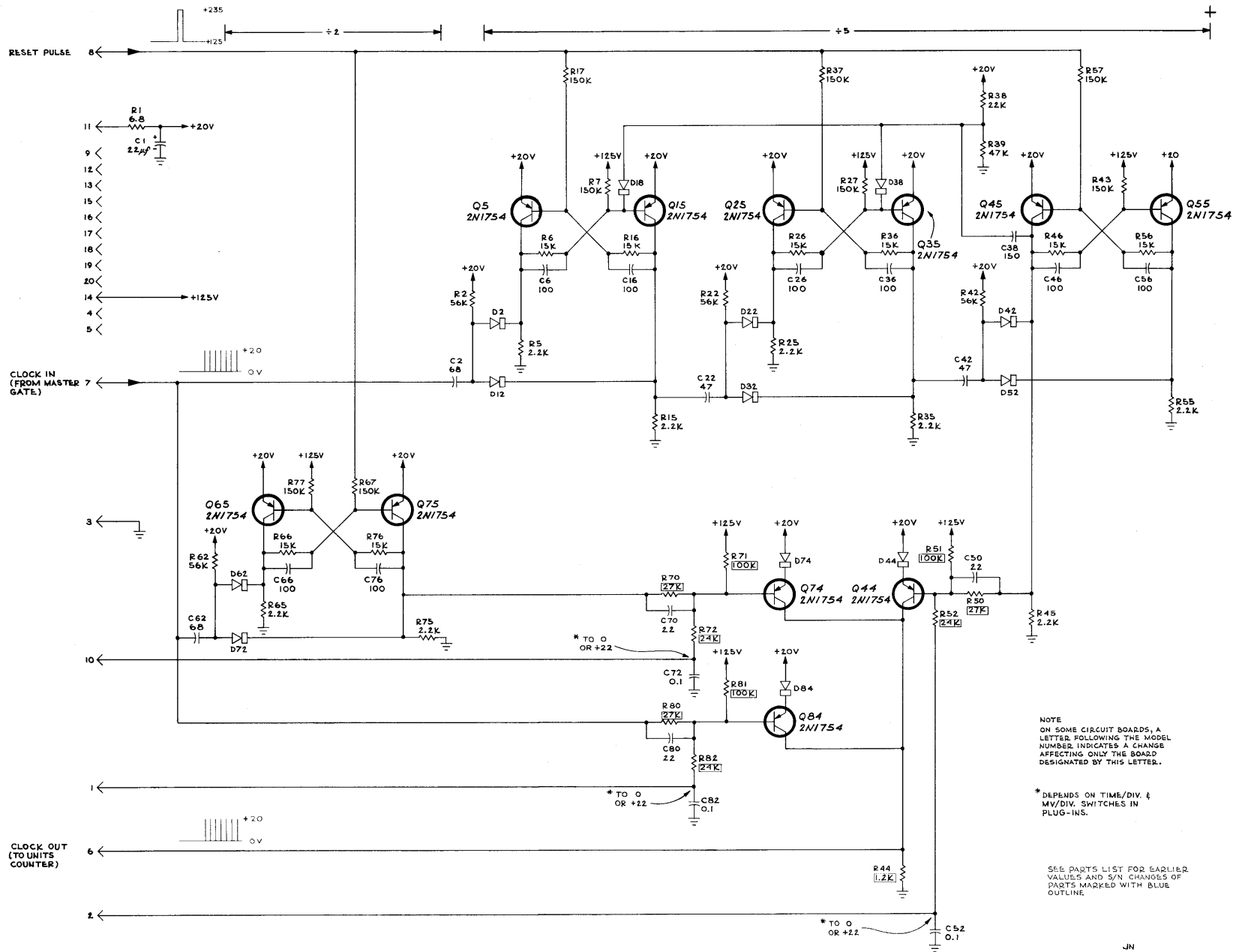
NOTE
 ON SOME CIRCUIT BOARDS, A LETTER FOLLOWING THE MODEL NUMBER INDICATES A CHANGE AFFECTING ONLY THE BOARD DESIGNATED BY THIS LETTER.

SEE PARTS LIST FOR EARLIER VALUES AND S/N CHANGES OF PARTS MARKED WITH BLUE OUTLINE

TYPE 6R1

A

JN 565
 ÷ 10
 SERIES I MODELS 1 & 2



NOTE
ON SOME CIRCUIT BOARDS, A
LETTER FOLLOWING THE MODEL
NUMBER INDICATES A CHANGE
AFFECTING ONLY THE BOARD
DESIGNATED BY THIS LETTER.

* DEPENDS ON TIME/DIV. &
MV/DIV. SWITCHES IN
PLUG-INS.

SEE PARTS LIST FOR EARLIER
VALUES AND S/N CHANGES OF
PARTS MARKED WITH BLUE
OUTLINE.

JN
563

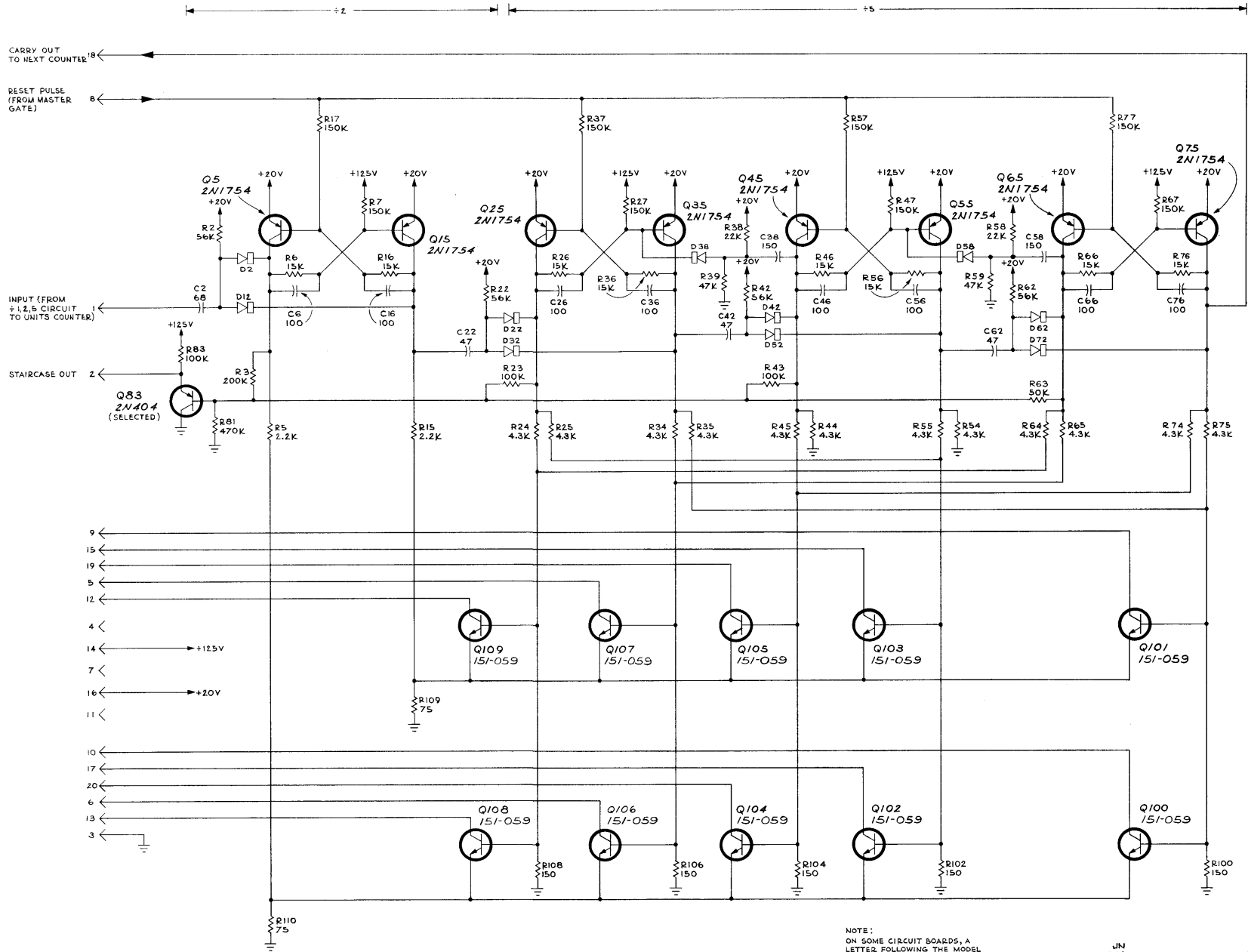
÷ 1, 2, 5

SERIES B MODELS 1 & 2

TYPE 6R1

A

+

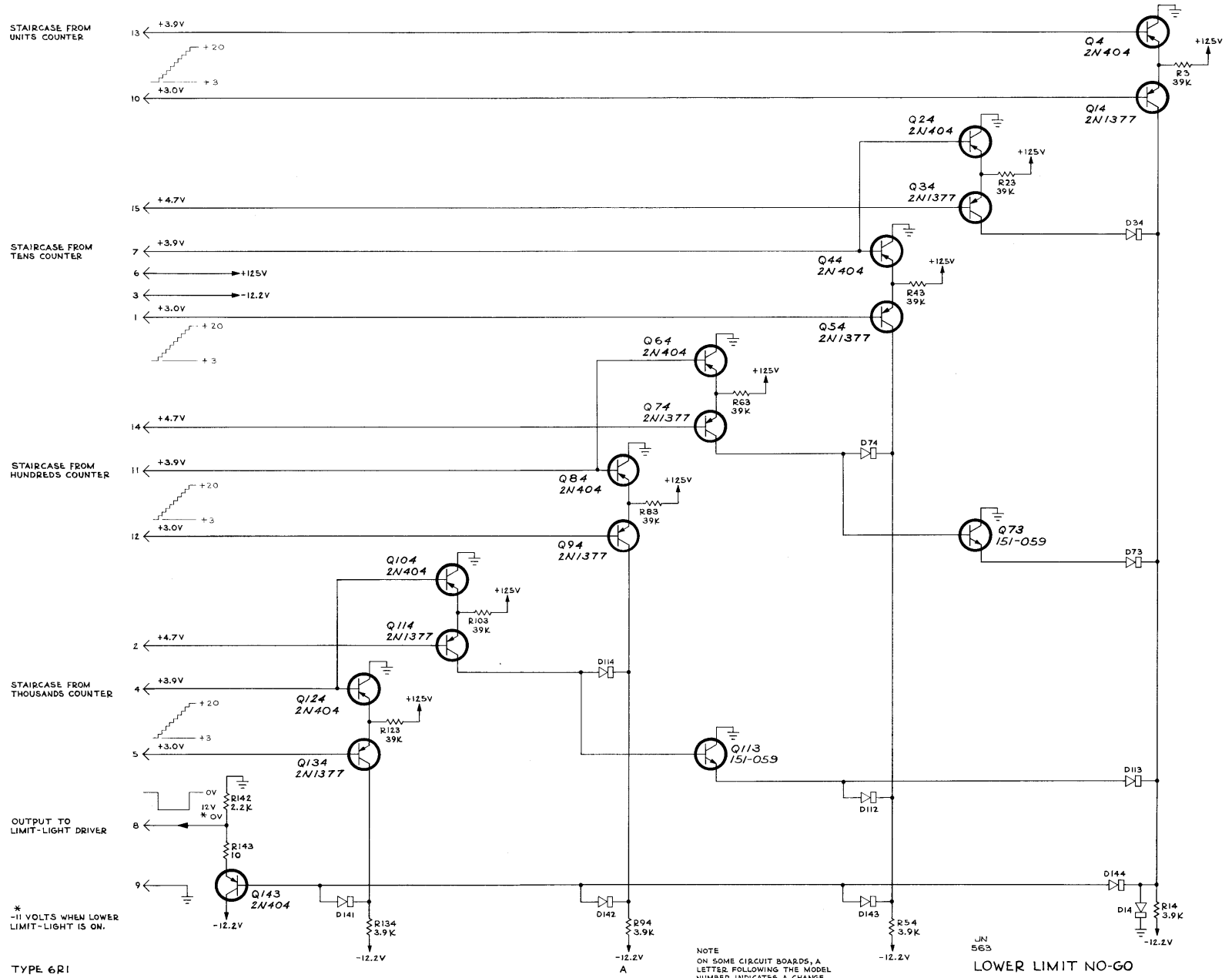


TYPE 6R1

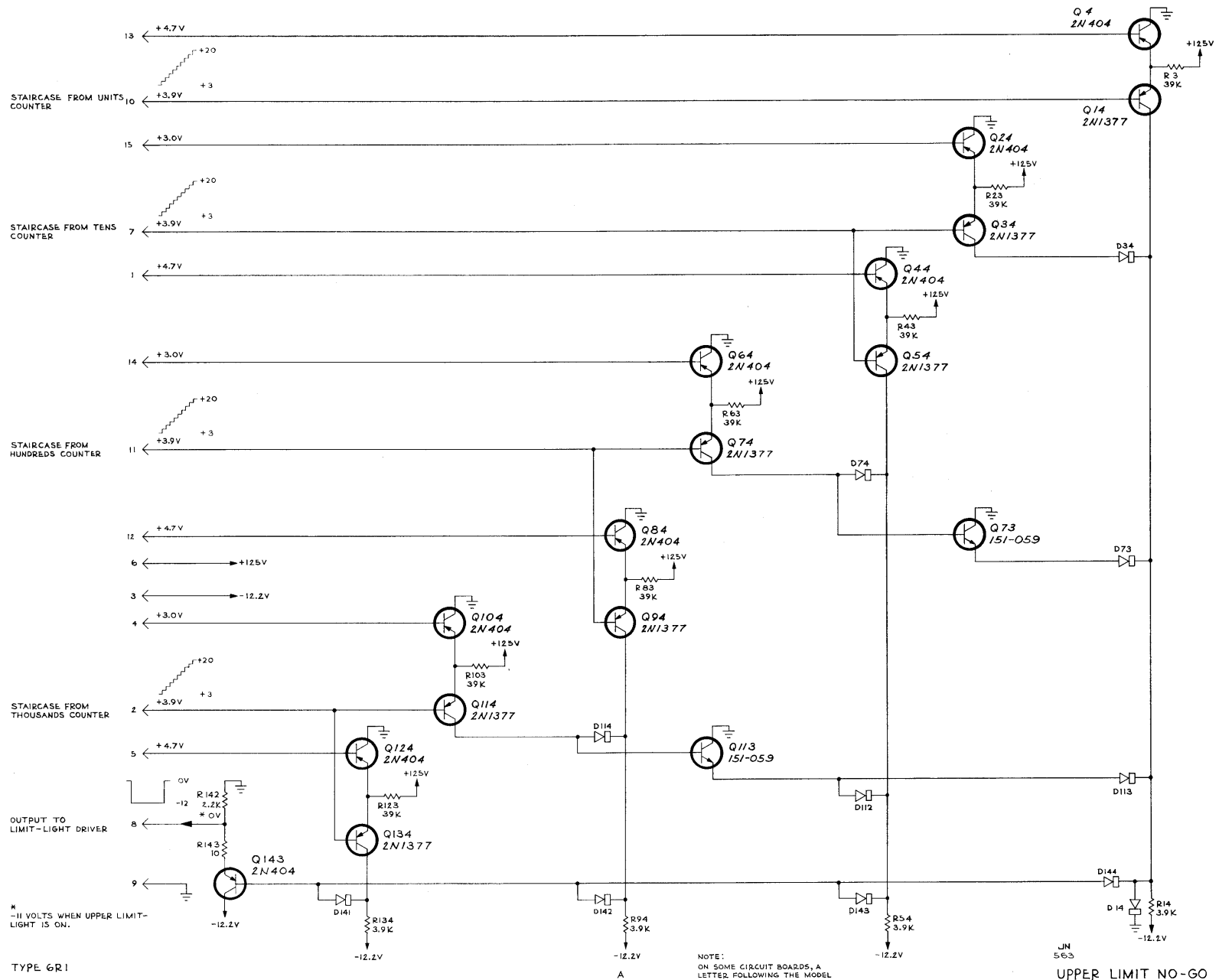
A

NOTE:
ON SOME CIRCUIT BOARDS, A
LETTER FOLLOWING THE MODEL
NUMBER, INDICATES A CHANGE
AFFECTING ONLY THE BOARD
DESIGNATED BY THIS LETTER.

JN
563
COUNTER
SERIES A MODELS 162



+



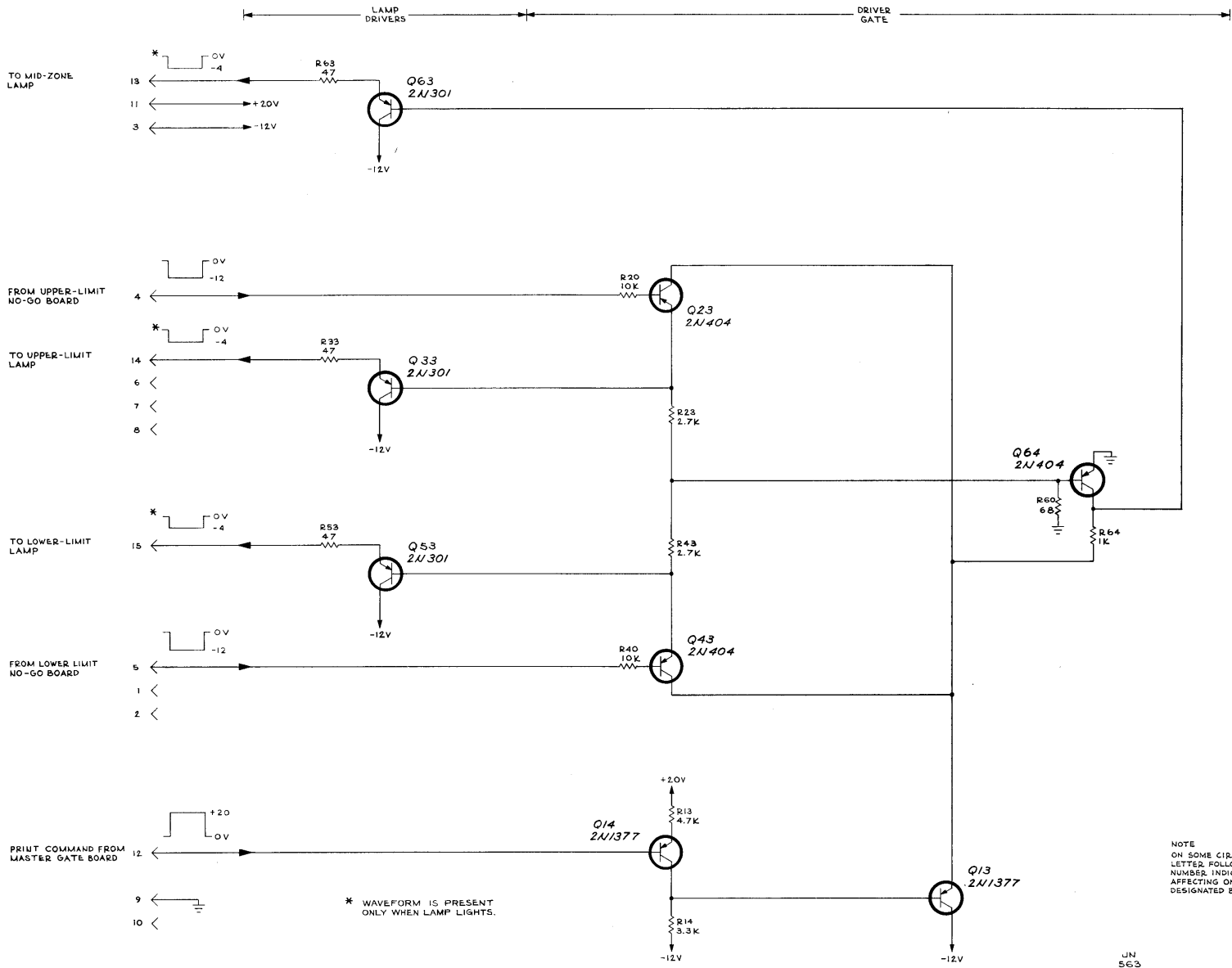
* -12 VOLTS WHEN UPPER LIMIT-LIGHT IS ON.

TYPE 6R1

NOTE:
ON SOME CIRCUIT BOARDS, A LETTER FOLLOWING THE MODEL NUMBER INDICATES A CHANGE AFFECTING ONLY THE BOARD DESIGNATED BY THIS LETTER.

JUN 563

UPPER LIMIT NO-GO
SERIES F MODEL I



TYPE 6R1

A

UN 563
LIMIT LIGHT DRIVER
SERIES H MODEL I